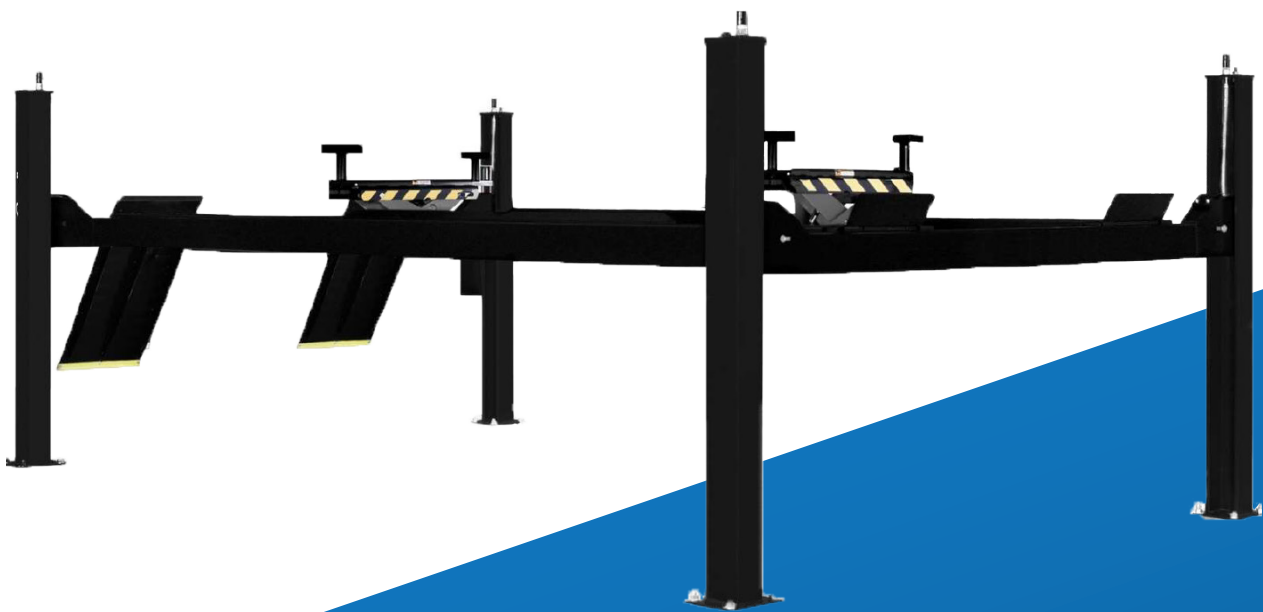
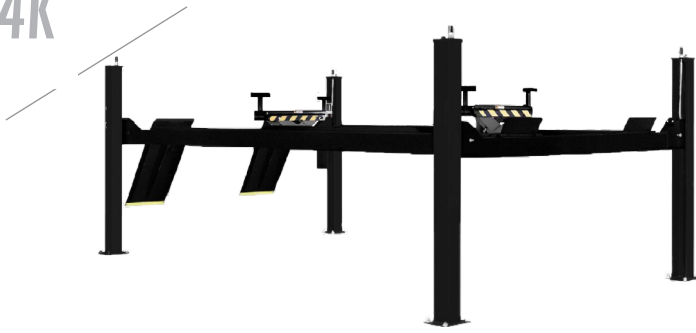


4-POST SERVICE LIFT

14K

4-POST SERVICE LIFT





EASY TO OPERATE WITH VERSATILE LOW-PROFILE LIFTING CAPABILITIES

The Hofmann 14K 4-Post Service Lift comes with quality features of premium 4-post service lift. Easy to operate, expansive adjustable runways to facilitate effortless approach.

FEATURES

- Heavy duty 6.3 tons (14000lbs) lifting capacity
- 1981mm raised height provides more working room underneath vehicles
- Louvered approach ramps for positive vehicle traction
- Solid piece column construction provides rigidity and stability for rigorous servicing needs
- Oversized solid machined steel pulleys and cable life
- Adjustable runways to accommodate a variety of tread widths
- Hydraulic cylinder mounted underneath runway
- 14 level locking positions for a variety of general service task
- Optional bolt on alignment kit converts general service application into alignment rack

Part Number: EELR728AKSV1
EELR728AKSV3

SPECIFICATIONS

Maximum Capacity: 6.3 tons (14000lbs)
 Open / Closed - Front / Rear: Closed F/R
 Max. Wheelbase: 4,636 mm
 Overall Length: 6,242 mm
 Overall Width: 3,321 mm
 Runway Width: 508 mm
 Distance Between Runways: 1,016 / 1,092 mm
 Raised Height: 1,981 mm
 Lowered Height: 184 mm
 Column Height: 2,299 mm
 Rise Time: 75s
 Power Supply: 380VAC, 3 Ph, 50 Hz
 220VAC, 1 Ph, 50/60 Hz

RECOMMENDED ACCESSORIES

Roller Jack
 Part Number: SEAK138-48A

- Max Capacity: 3409kg
- Height Range: 252 mm - 506 mm
- Arms Range: 838 mm - 1270 mm

For more information, please contact our sales representatives at esales@snapon.com

Singapore: (65) 6451-5570
 Indonesia: (62-21) 2258-2222
 Korea: (82) 32-326-7310

Malaysia: (60-3) 8957-1938
 Myanmar, Cambodia, Laos: (65) 6451-5570
 Philippines: (63-2) 8-843-7935 / (63-2) 8-843-8262

Taiwan: (886-2) 2298-9789
 Thailand: (66) 2026-3255
 Vietnam: (84-28) 5414-1432

www.hofmann-equipment.com

Hofmann is committed product innovation and improvement. Therefore, specifications listed in this sell sheet may change without notice. ©2023 Snap-on Incorporated. Hofmann is a trademark, registered in the United States and other countries, of Snap-on Incorporated. All rights reserved. All other marks are marks of their respective holders.
10/2023

