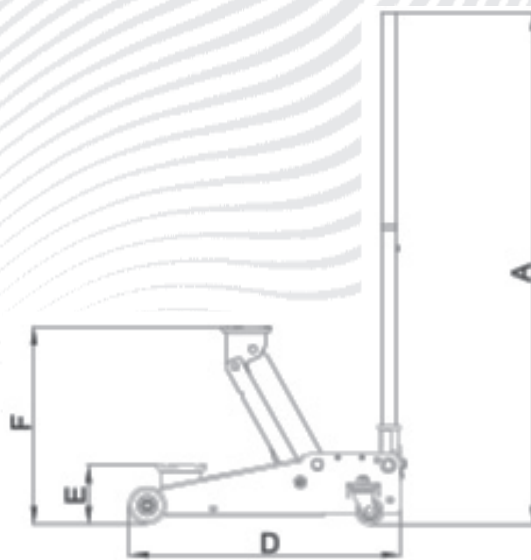


Blue-Point Trolley Jack YF3APH



FEATURES

- ✓ PVC handle for insulation and comfort.
- ✓ Speed descend by controlled swivelling of lever.
- ✓ Foam bumper protection on the lever to prevent damage to the vehicles.
- ✓ 6 strokes quick lift pump.
- ✓ Inbuilt tray for storage of tools, screws, bolts, etc.
- ✓ Rubber pad preventing damaging under part of the car.
- ✓ Steel wheels
- ✓ Min Height: 130mm
- ✓ Max Height: 460mm



Part Number	Capacity KG	A	D	E	F	KG
YF3APH	3000	1150	617	130	460	31